



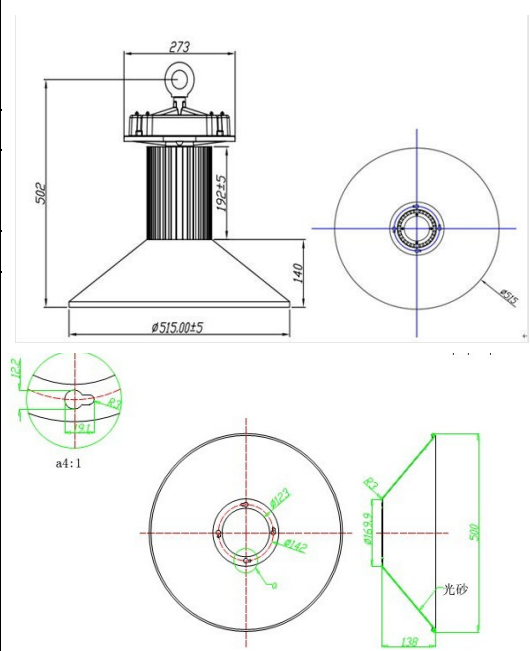
HB-100W (120degree) LED LIGHT DATASHEET

Input Voltage	AC85-277V	
Frequency Range	50	
Total harmonic distortion	≤9%	
Power factor	>0.98	
LED working voltage	DC30-36V	
LED QTY	1 PC	
LED power consumption	100 W	
Total system consumption	106 W	
LED lighting efficiency	130-140 LM/W	
LED Lamp output lumens	Pure White	10500LM
Lamp efficiency	>90%	
Average luminance	Height 6 M	>142 LUX
	Height 8 M	>101 LUX
	Height 10 M	>52.3 LUX
Illuminance Area	Height 6 M	∅ 16M Round
	Height 8 M	∅ 22M Round
	Height 10 M	∅ 27M Round
Illuminance Uniformity	>0.7	
CCT	Pure White	4500-5500K
Color Index	Pure White	Ra>75
Light distribution	Symmetric/Round spot	
Light design	LED+reflector	
LED Junction Temperature	≤70℃	
Work Environment	-40℃——+55℃	
Storage Environment	-25℃——+65℃	
Protection Glass	IP65	
LED life Span	>50 000 hrs	
PSU Connection	Brown	L(live line)
	Blue	N(null line)
	Yelooow or Green	G(ground line)
Housing Color	Grey	
Certificates	CE/ROHS/ISO9001/ETL/ERP/TUV	
N.W/G,W (per piece)	6.54KG (1 PC)	
Packing/2pcs	39*34*27 cm	

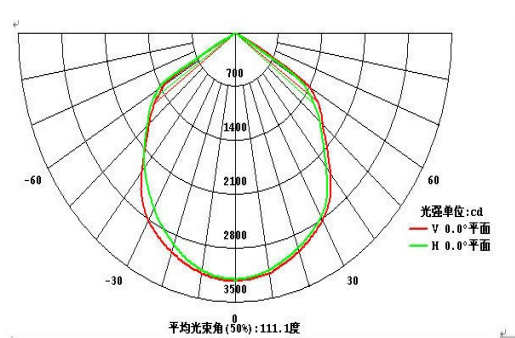
Product Picture



Product size



Distribution Curve



Package

